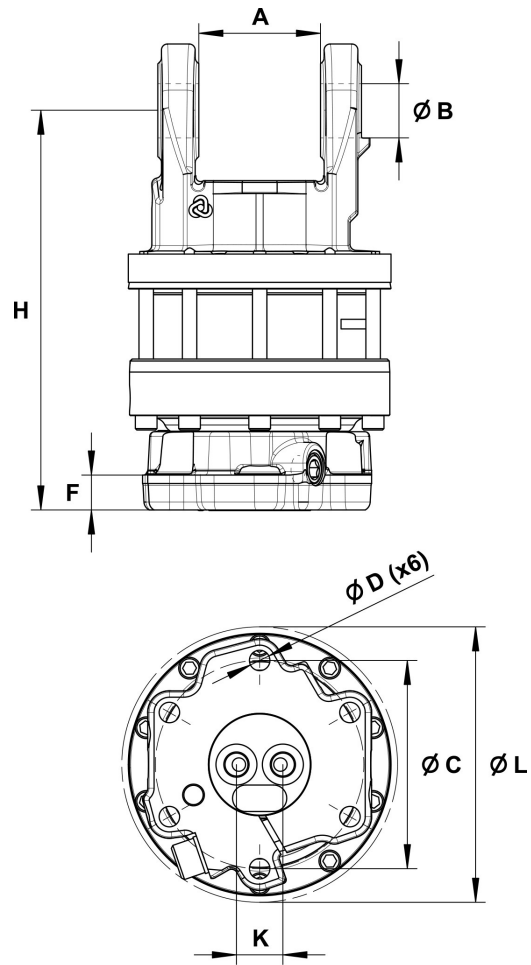
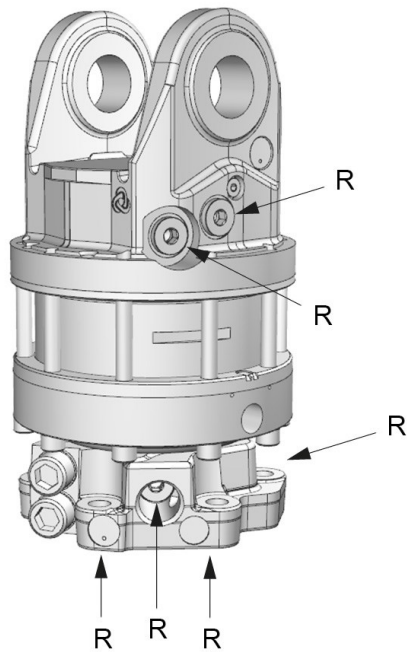


AV 12S

Part No.: 5212296



Upper connection	Lower connection
G 1/2	G 1/2

A: 101 mm	B: Ø45 mm	C: Ø173 mm	D: Ø17 mm	F: 30 mm	H: 333 mm	K: 38,5 mm	L: Ø229 mm
--------------	--------------	---------------	--------------	-------------	--------------	---------------	---------------

 55.7 kg	 360°	 Max 100 kN	 Max 50 kN	 2200 Nm	 Max 25 l/min	 Max 25 MPa
--	---	--	---	---	--	--

Adapter sets are available for alternative connections.

For further technical information relating to integration and hydraulic connections, please contact rotator@indexator.com