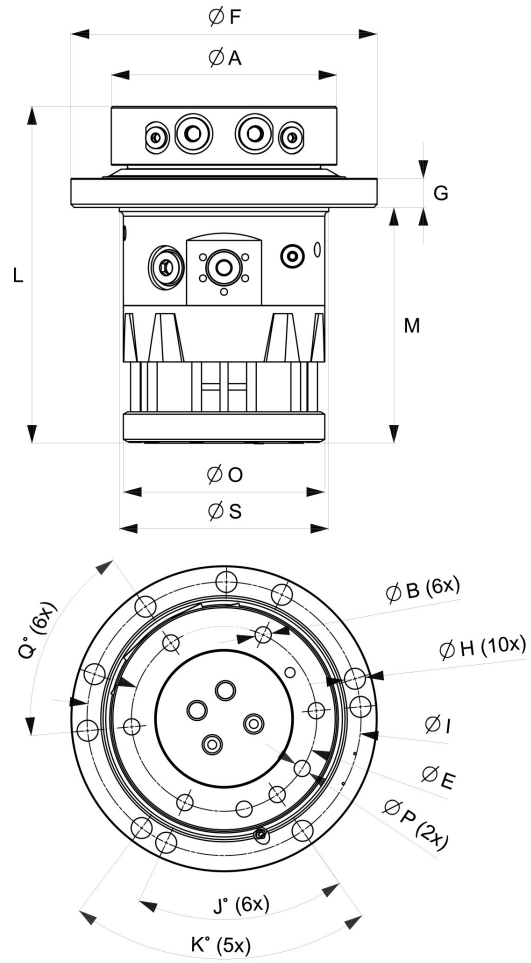
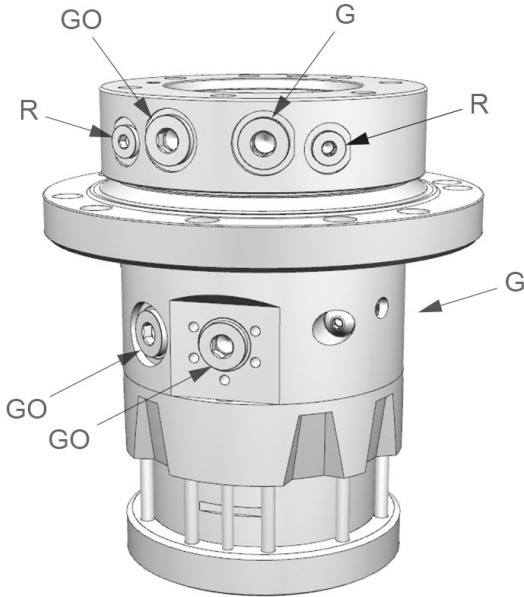


IR 20 HPL M24

Part No.: 8000724



Upper		Lower		
G GO: G 1	R: G 1/2	G: SAE 3000 DN 25 / G 1	GO: SAE 3000 DN 25 / G 1	GO: G 1

A: Ø280 mm	B: M24	E: Ø230 mm	F: Ø380 mm	G: 36 mm	H: Ø26 mm	I: Ø340 mm	J: 60°	K: 72°	L: 420 mm	M: 293 mm	O: Ø250 mm	P: Ø20 mm	Q: 60°
S: Ø260 mm													

		Max 	Max 		Max 	Max 	Max 	Max 	Max
151 kg	360°	±450 kN	±150 kN	4100 Nm	35 l/min	25 MPa	28 MPa	28 MPa	28 MPa

Pressure limiting valves fitted.

For further technical information relating to integration and hydraulic connections, please contact rotator@indexator.com