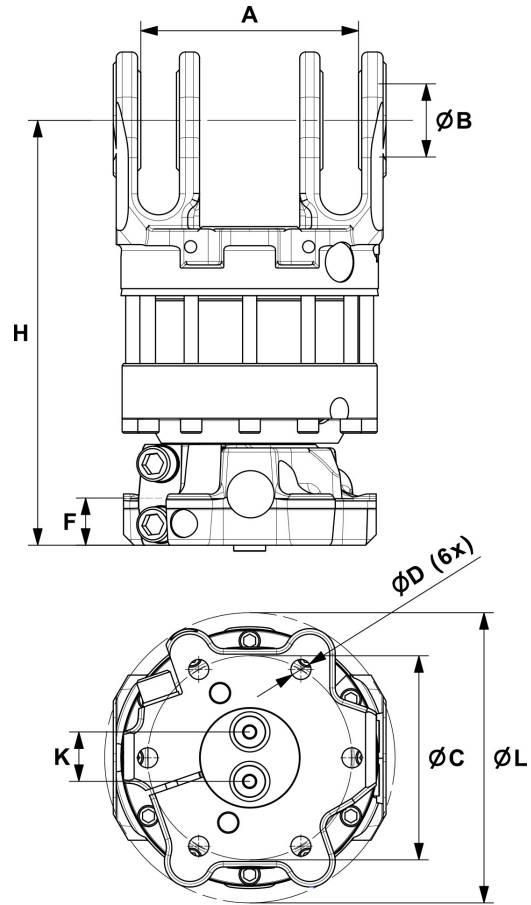
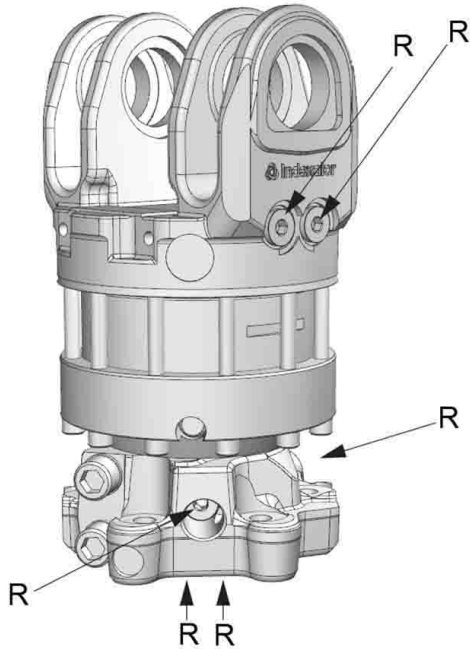


H 152 LS

Part No.: 7120009

- Load Sense



Upper connection	Lower connection
G 1/2	G 1/2

A: MBP2	B: MPB	C: Ø173 mm	D: Ø17 mm	F: 40 mm	H: 360 mm	K: 42 mm	L: Ø248 mm
------------	-----------	---------------	--------------	-------------	--------------	-------------	---------------

 64 kg	 360°	 100 kN	 50 kN	 2200 Nm	 25 l/min	 25 MPa
--	---	---	--	---	---	---

Rotator suitable for MPB swing dampers.

Adapter sets are available for alternative connections.

For further technical information relating to integration and hydraulic connections, please contact rotator@indexator.com