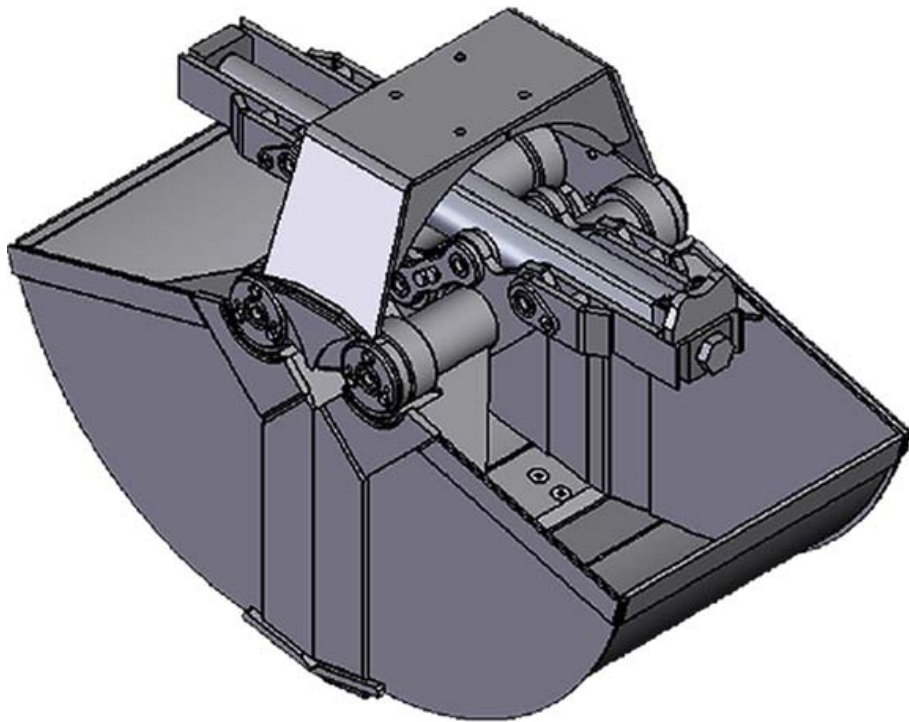
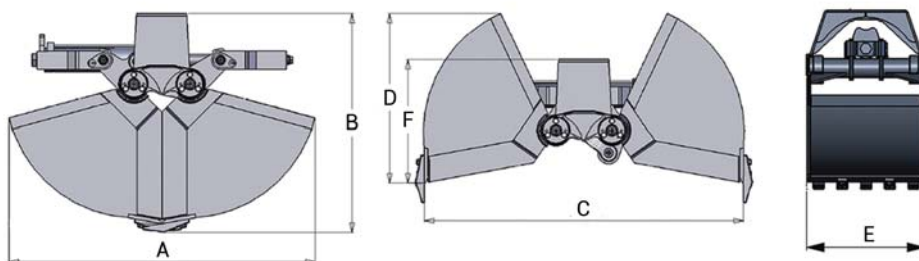


# TIGERGRIP | TCB 420L - 800L



## KEY FEATURES

- Double guide bars
- High pressure cylinder with double piston rod seals
- High tensile wear resistant steel (400 HB)
- Pilot operated check valve
- High tensile wear resistant steel cutting edges (500 HB)



	TCB 420L	TCB 500L	TCB 650L	TCB 800L
<b>A</b>	1340	1340	1340	1340
<b>B</b>	957	957	957	957
<b>C</b>	1398	1398	1398	1398
<b>D</b>	740	740	740	740
<b>E</b>	420	500	650	800
<b>F</b>	539	539	539	539

## MODEL SPECIFICATIONS



MODEL	Kg	Lt	Bar	l/min	kN	ton	tm/min
TCB 420L	220	200	250	50	21	2	8
TCB 500L	240	250	250	50	21	2	10
TCB 650L	260	350	250	50	21	2	12
TCB 800L	295	450	250	50	21	2	15

# INTERMERCATO

High performance lift and load attachments for Forestry, Transport, Construction and Recycling.

