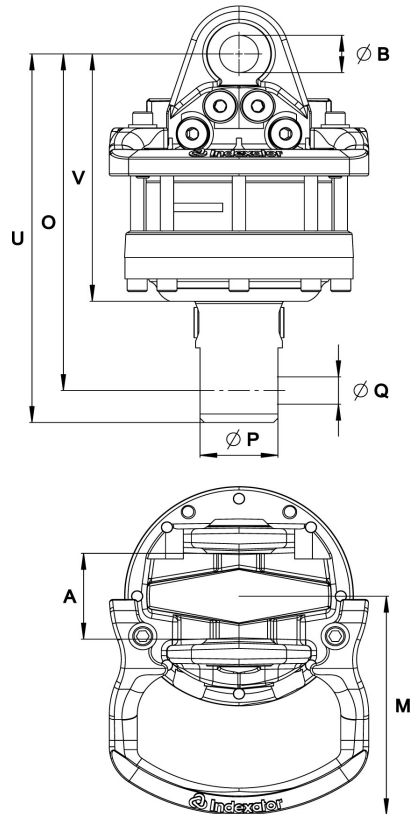
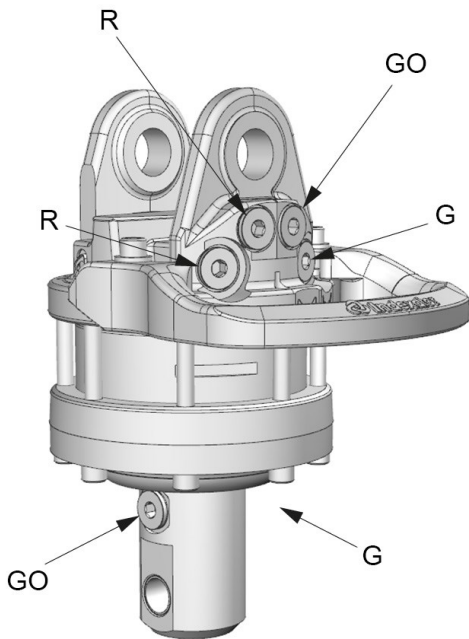











GV 6 -78/25 P

Part No.: 5006253



Upper connection	Lower connection
G 1/2	G 1/2

A: 80,5 mm	B: Ø35 mm	M: 205 mm	O: 316 mm	P: Ø78 mm	Q: Ø25 mm	U: 346 mm	V: 232 mm
---------------	--------------	--------------	--------------	--------------	--------------	--------------	--------------

								
39.8 kg	360°	60 kN	25 kN	1400 Nm	25 l/min	20 MPa	20 MPa	30 MPa

Rotator where the connections and tap hole through the shaft are parallel.

Adapter sets are available for alternative connections.

For further technical information relating to integration and hydraulic connections, please contact rotator@indexator.com