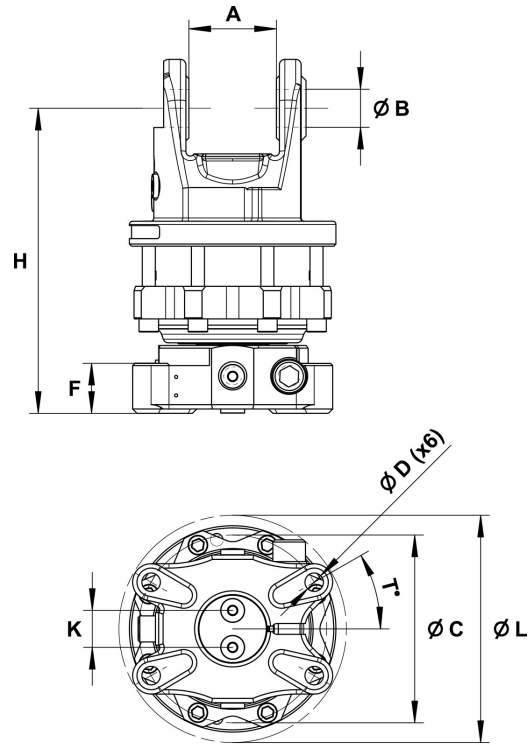
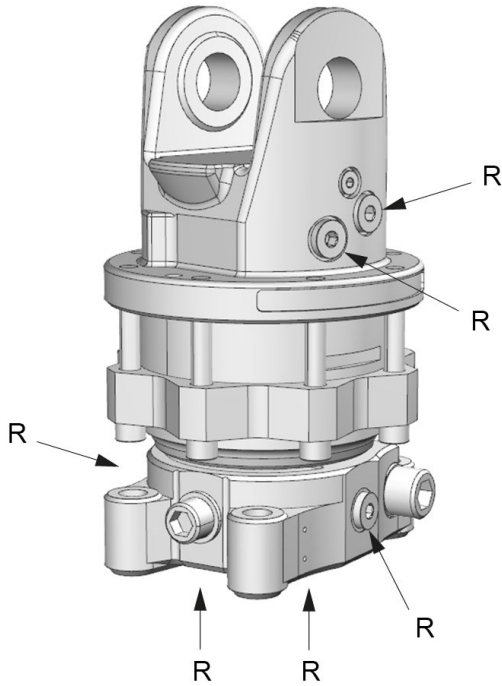


# AV 4E I LS

Part No.: 5002641

- Load Sense<sup>1</sup>



Upper connection	Lower connection
G 3/8	G 3/8

A: 80,5 mm	B: Ø35 mm	C: Ø173 mm	D: Ø17 mm	F: 46 mm	H: 281 mm	K: 34 mm	L: Ø207 mm	T: 30°
---------------	--------------	---------------	--------------	-------------	--------------	-------------	---------------	-----------

		Max 	Max 		Max 	Max 
31.7 kg	360°	45 kN	25 kN	1150 Nm	12 l/min	25 MPa

<sup>1</sup> A rotator with the shortening LS is not equipped with restrictors (unlike our standard rotators). This means that the oil flow from the base machine has to be adapted.

Adapter sets are available for alternative connections.

For further technical information relating to integration and hydraulic connections, please contact [rotator@indexator.com](mailto:rotator@indexator.com)