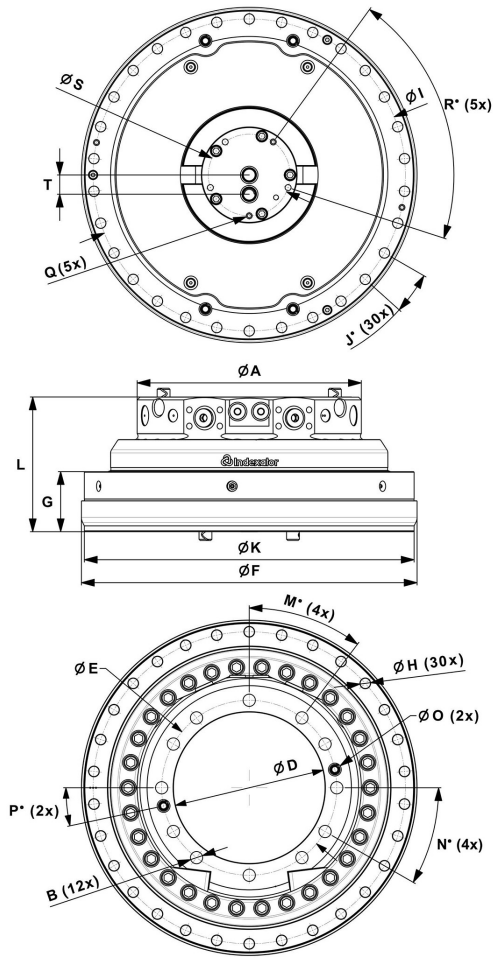
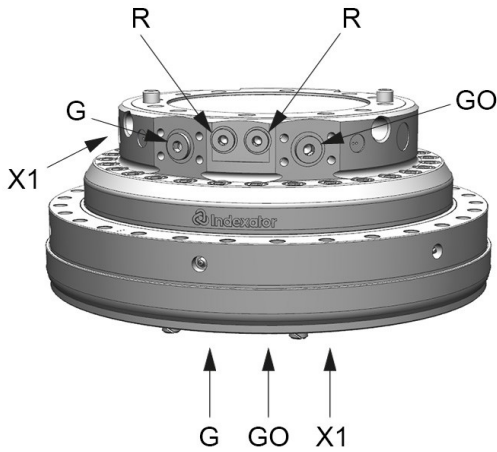


# XR 600 C HPL

Part No.: 8600011

- Central lubrication



## Upper

X1: M10 x 1,0	G GO: SAE 6000 DN 25	R: G 1/2
------------------	-------------------------	-------------

A: Ø384 mm	B: M24	C: 50 mm	D: Ø260 mm	E: Ø300 mm	F: Ø575 mm	G: 103 mm	H: Ø17,5 mm	I: Ø535 mm	J: 12°	K: Ø565 mm	L: 231 mm	M: 37°	N: 30°
O: Ø22 mm	P: 12°	Q: M12	R: 72°	S: Ø140 mm	T: 33 mm								

		Max	Max	Max		Max	Max	Max	Max	Max	Max	Max	Max
264 kg	360°	±850 kN	±300 kN	±200 kN	7000 Nm	40 l/min	25 MPa	35 MPa	35 MPa	35 MPa	35 MPa	35 MPa	40 MPa

Oil distributor ordered separately

Pressure limiting valves fitted.

For further technical information relating to integration and hydraulic connections, please contact [rotator@indexator.com](mailto:rotator@indexator.com)