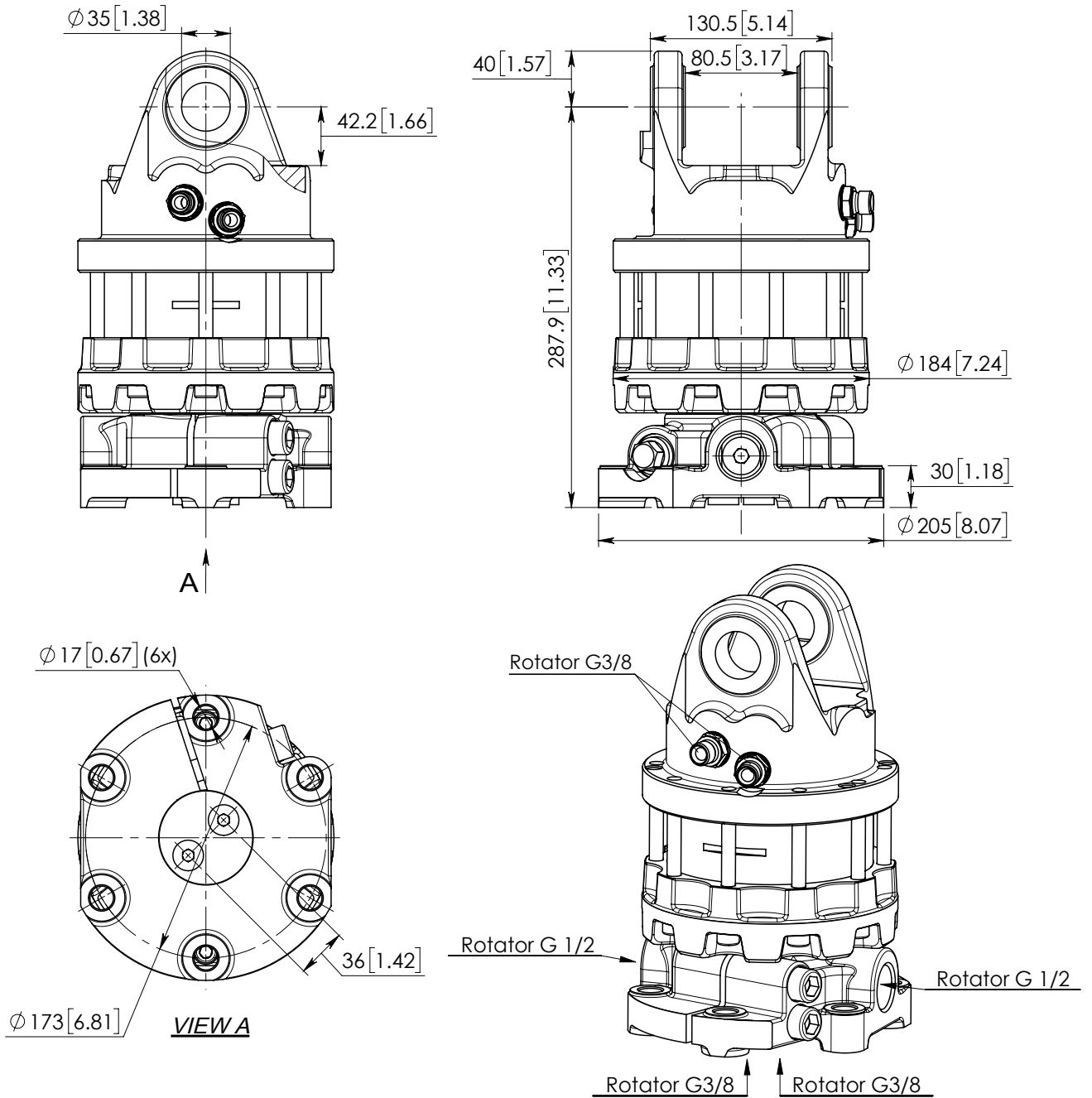


ROTATOR HR4-03



Technical data

Rotation	Unlimited
Max axial load static	45 kN [10118 lbf]
Max axial load dynamic	25 kN [5621 lbf]
Torque at 25 MPa [3625 psi]	1300 Nm [959 lb ft]
Rec oilflow	22 l/min [5.8 gal(US)/min]
Weight	35 kg [77 lb]
Max working pressure:	Connection:
Rotator ←R→ Max 25 MPa [3625 psi]	G 3/8; G 1/2