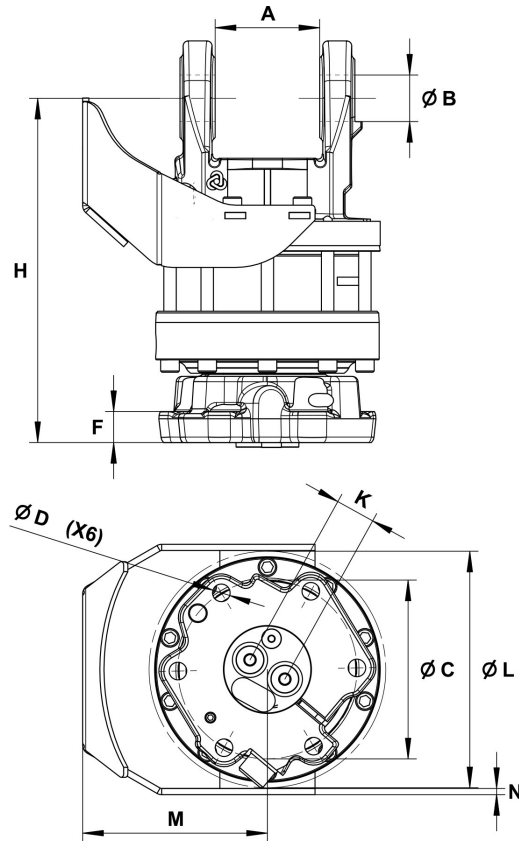
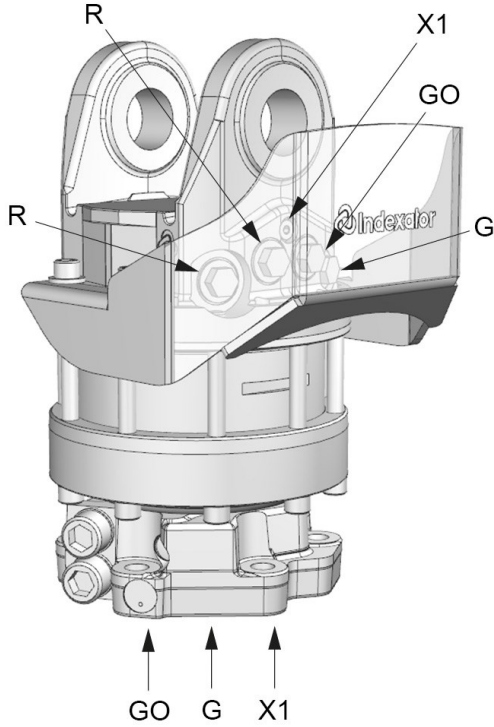


GV 12S A C Y XL

Part No.: 5212284

- Central lubrication
- Protected Hose Routing



Upper connection	Lower connection	Upper	Lower
G 1/2	G 1/2	X1: G 1/8	X1: G 1/4

A: 101 mm	B: Ø45 mm	C: Ø173 mm	D: Ø17 mm	F: 30 mm	H: 333 mm	K: 38,5 mm	L: Ø229 mm	M: 179 mm	N: 6 mm
--------------	--------------	---------------	--------------	-------------	--------------	---------------	---------------	--------------	------------

		Max 	Max 		Max 	Max 	Max 	Max 	Max
58.4 kg	360°	100 kN	50 kN	2200 Nm	25 l/min	25 MPa	25 MPa	25 MPa	10 MPa

Rotator with only axial connections for a grapple function.

Adapter sets are available for alternative connections.

For further technical information relating to integration and hydraulic connections, please contact rotator@indexator.com