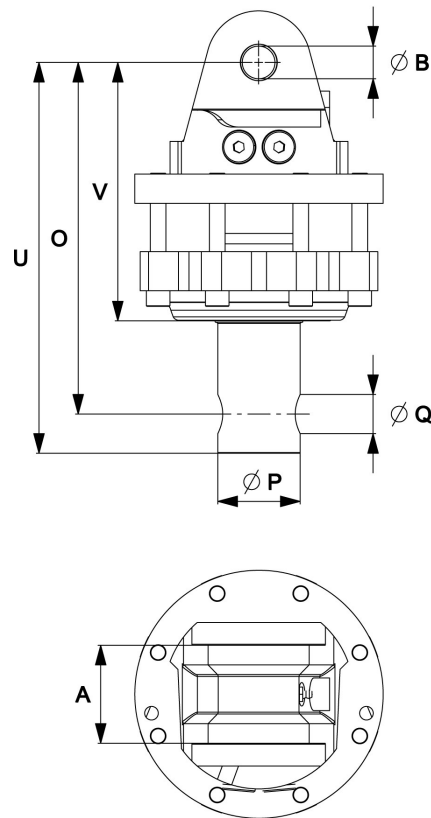
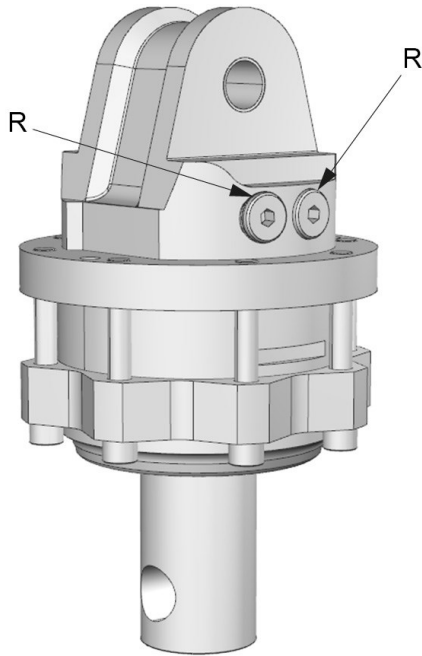


GV 4-0 -63/30 V

Part No.: 5002585



Upper connection

G 3/8

| | | | | | | |
|-------------|--------------|--------------|--------------|--------------|--------------|--------------|
| A: 75 mm | B: Ø25 mm | O: 269 mm | P: Ø63 mm | Q: Ø30 mm | U: 299 mm | V: 198 mm |
|-------------|--------------|--------------|--------------|--------------|--------------|--------------|

| | | | | | | |
|--|---|--|--|---|---|---|
|  24.9 kg |  360° |  45 kN |  25 kN |  1150 Nm |  12 l/min |  25 MPa |
|--|---|--|--|---|---|---|

V = Head rotators; only for connection in upper section.

Adapter sets are available for alternative connections.

For further technical information relating to integration and hydraulic connections, please contact rotator@indexator.com