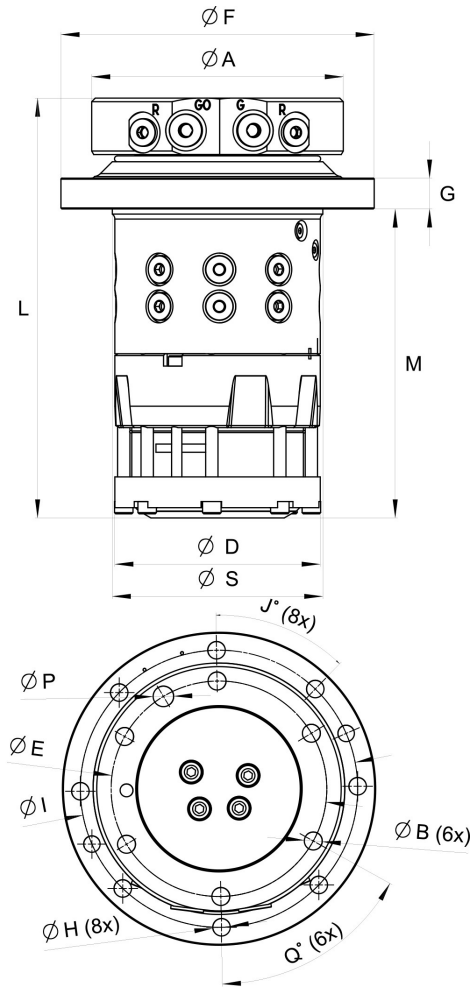
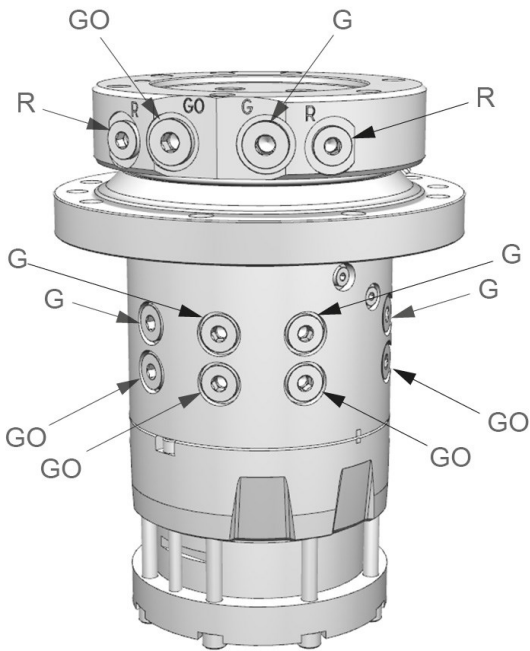


IR 10-5 M20

Part No.: 8000244



Upper		Lower	
G G0:	R:	G:	G0:
G 3/4	G 1/2	G 1/2 (x8)	G 1/2 (x8)

A:	B:	E:	F:	G:	H:	I:	J:	L:	M:	O:	P:	Q:	S:
Ø245 mm	M20	Ø210 mm	Ø305 mm	30 mm	17 (x8)	Ø270 mm	45°	409 mm	301 mm	Ø200 mm	Ø20 mm	60°	Ø205 mm

94.9 kg	360°	±250 kN	±70 kN	2100 Nm	25 l/min	19 MPa	35 MPa	35 MPa	35 MPa

This model has 4 and 5 connection options.

Pressure limiting valves fitted in the motor.

For further technical information relating to integration and hydraulic connections, please contact rotator@indexator.com