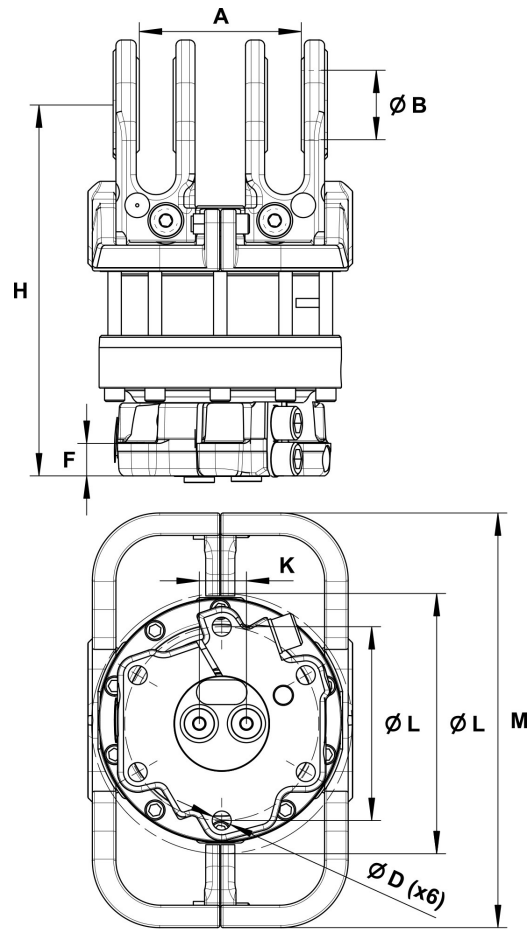
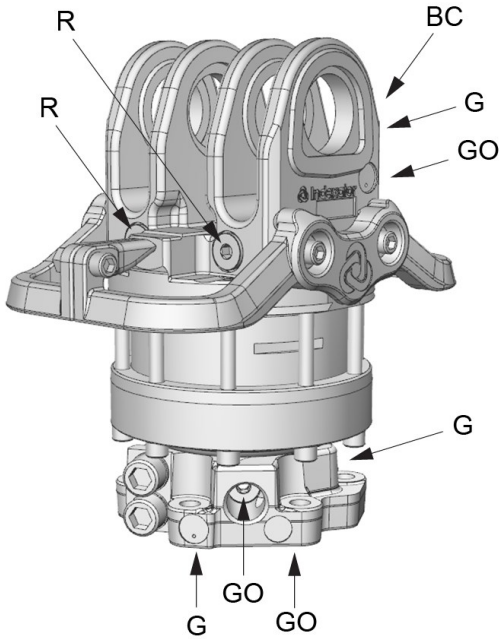


G 121-2 BC

Part No.: 7212121

- BC¹



Upper connection	Lower connection
G 1/2	G 1/2

A: MPB1	B: MPB	C: Ø173 mm	D: Ø17 mm	F: 30 mm	H: 333 mm	K: 43 mm	L: Ø229 mm	M: 370 mm
------------	-----------	---------------	--------------	-------------	--------------	-------------	---------------	--------------

59.3 kg	360°	Max 100 kN	Max 50 kN	2200 Nm	Max 25 l/min	Max 25 MPa	Max 25 MPa	Max 25 MPa

¹ BC means that the product is purpose built for hydraulic control of the MPB1 brake.

Rotator suitable for MPB swing dampers.

Rotator suitable for MPB swing dampers med hydraulic brake control (BC).

Adapter sets are available for alternative connections.

For further technical information relating to integration and hydraulic connections, please contact rotator@indexator.com