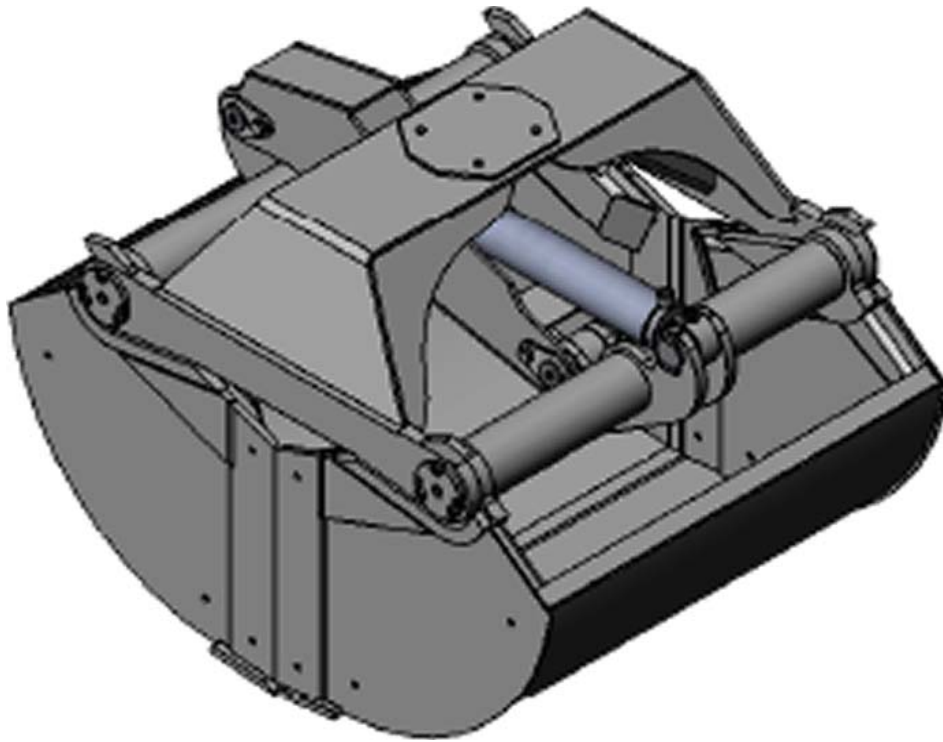
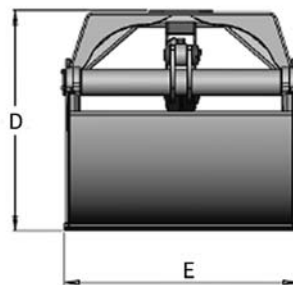
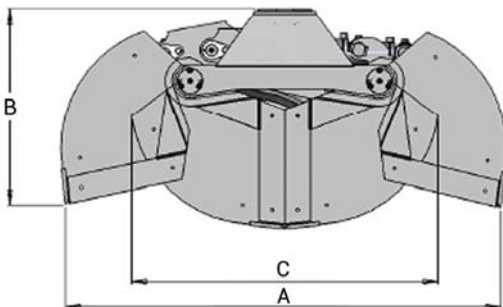


TIGERGRIP | TVG 650 - 1000



KEY FEATURES

- Double guide bars
- High tensile wear resistant steel (400 HB)
- High pressure cylinder with double piston rod seals
- Pilot operated check valve
- 2 ton weld-on lifting hooks
- High tensile wear resistant steel cutting edges (500 HB)



| | TVG 650 | TVG 800 | TVG 1000 |
|---|---------|---------|----------|
| A | 1862 | 1862 | 1862 |
| B | 837 | 837 | 837 |
| C | 1310 | 1310 | 1310 |
| D | 941 | 941 | 941 |
| E | 650 | 800 | 1000 |

MODEL SPECIFICATIONS



| MODEL | Kg | Lt | Bar | l/min | kN | ton | tm |
|----------|-----|-----|-----|-------|----|-----|----|
| TVG 650 | 410 | 350 | 250 | 60 | 28 | 3 | 25 |
| TVG 800 | 475 | 400 | 250 | 60 | 28 | 3 | 25 |
| TVG 1000 | 520 | 500 | 250 | 60 | 28 | 3 | 25 |

INTERMERCATO

High performance lift and load attachments for Forestry, Transport, Construction and Recycling.

