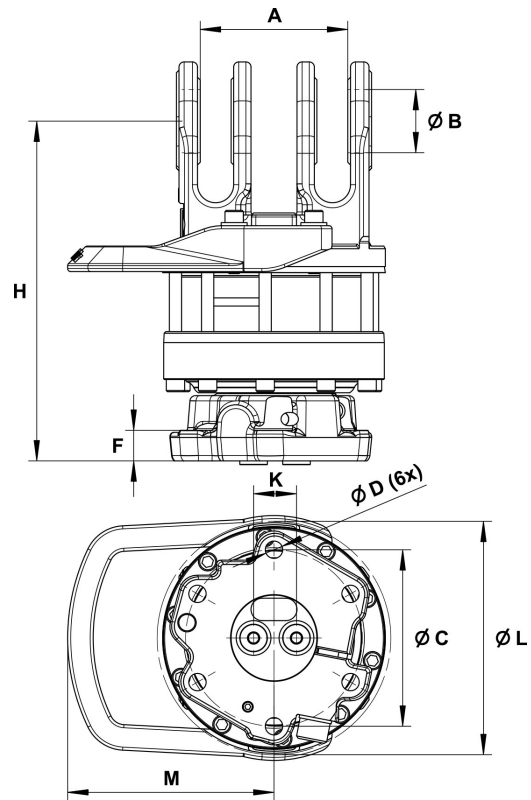
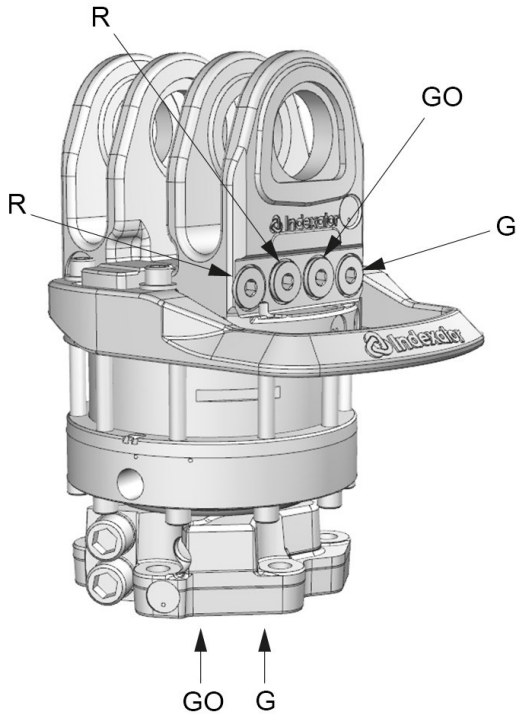










G 141 A

Part No.: 7214076



Upper connection	Lower connection
G 1/2	G 1/2

A: MPB1	B: MPB	C: Ø173 mm	D: Ø17 mm	F: 30 mm	H: 333 mm	K: 44 mm	L: Ø229 mm	M: 202 mm
------------	-----------	---------------	--------------	-------------	--------------	-------------	---------------	--------------

								
56.6 kg	360°	100 kN	50 kN	3300 Nm	35 l/min	25 MPa	25 MPa	25 MPa

Rotator suitable for MPB swing dampers.

Rotator with only axial connections for a grapple function.

Adapter sets are available for alternative connections.

For further technical information relating to integration and hydraulic connections, please contact rotator@indexator.com