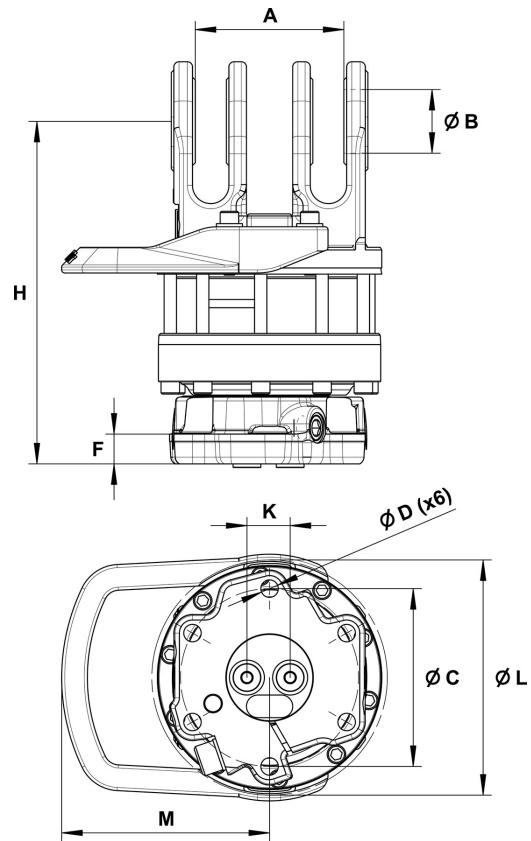
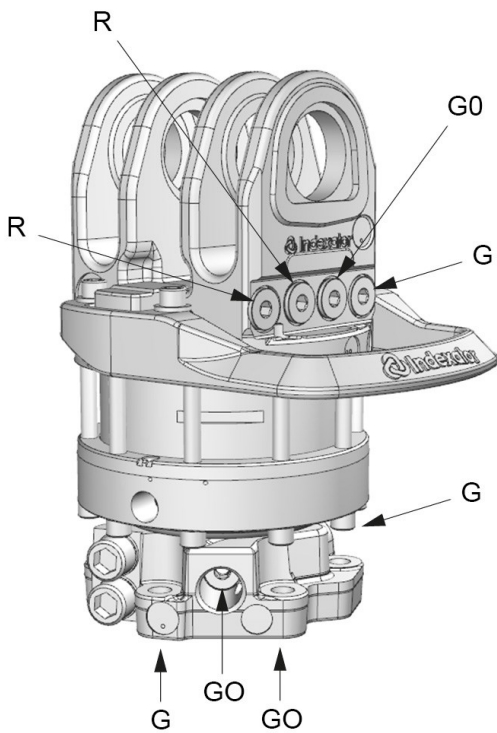











# G 141

Part No.: 7214075



Upper connection	Lower connection
G 1/2	G 1/2

A: MPB1	B: MPB	C: Ø173 mm	D: Ø17 mm	F: 30 mm	H: 333 mm	K: 44 mm	L: Ø229 mm	M: 202 mm
------------	-----------	---------------	--------------	-------------	--------------	-------------	---------------	--------------

 56.6 kg	 360°	 Max 100 kN	 Max 50 kN	 3300 Nm	 Max 35 l/min	 Max 25 MPa	 Max 25 MPa	 Max 25 MPa
--	---	--	---	--	---	--	--	--

Rotator suitable for MPB swing dampers.

Adapter sets are available for alternative connections.

For further technical information relating to integration and hydraulic connections, please contact [rotator@indexator.com](mailto:rotator@indexator.com)