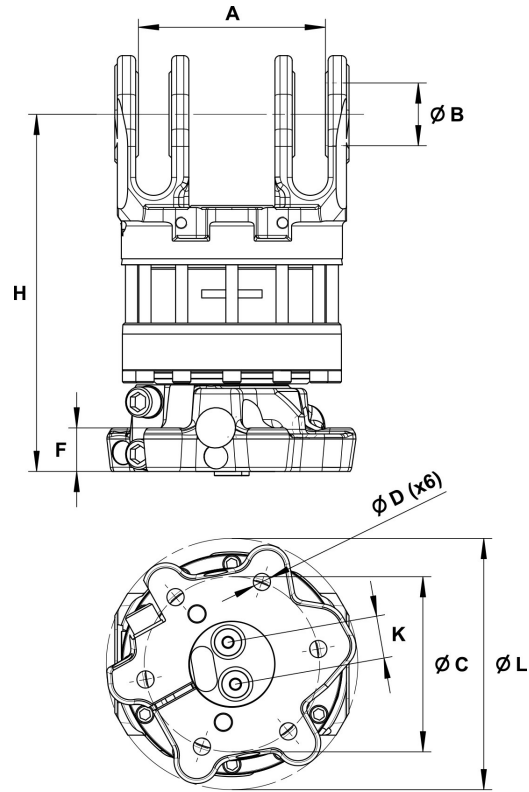
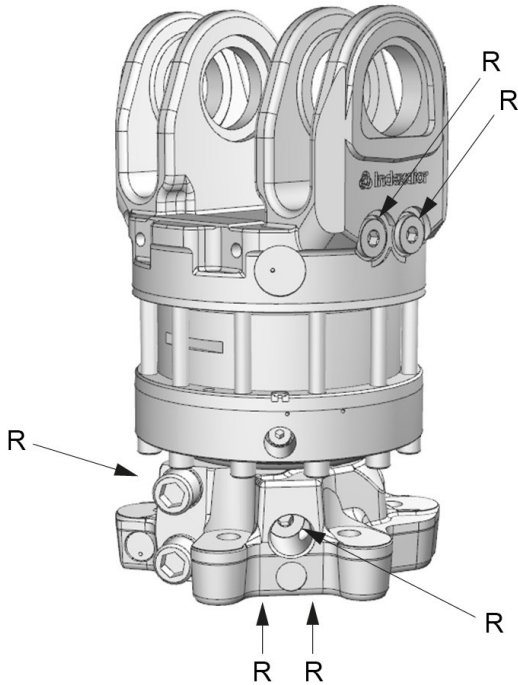


H 172 D

Part No.: 7214066



Upper connection	Lower connection
G 1/2	G 1/2

A: MPB2	B: MPB	C: Ø173 mm	D: Ø17 mm	F: 40 mm	H: 352 mm	K: 42 mm	L: Ø248 mm
------------	-----------	---------------	--------------	-------------	--------------	-------------	---------------

 63.7 kg	 360°	 Max 160 kN	 Max 50 kN	 3300 Nm	 Max 35 l/min	 Max 25 MPa
--	---	--	---	---	--	--

Rotator suitable for MPB swing dampers.

Adapter sets are available for alternative connections.

For further technical information relating to integration and hydraulic connections, please contact rotator@indexator.com