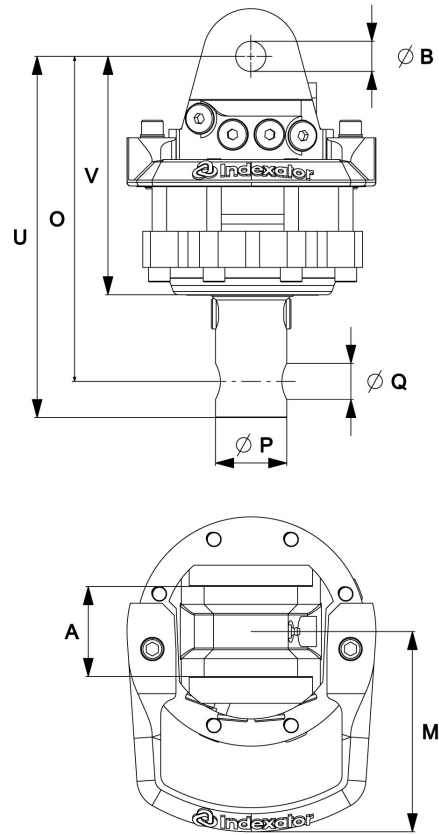
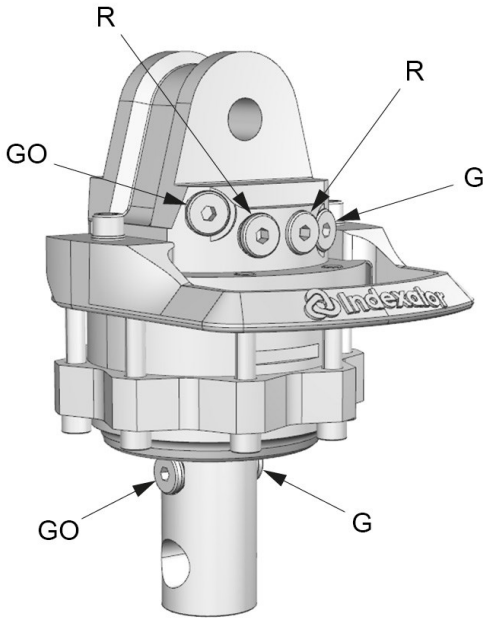











GV 4 -59/30 P

Part No.: 5002608



Upper connection	Lower connection
G 3/8	G 3/8

A: 75 mm	B: Ø25 mm	M: 166 mm	O: 269 mm	P: Ø59 mm	Q: Ø30 mm	U: 299 mm	V: 198 mm
-------------	--------------	--------------	--------------	--------------	--------------	--------------	--------------

								
26 kg	360°	45 kN	25 kN	1150 Nm	12 l/min	25 MPa	30 MPa	30 MPa

Rotator where the connections and tap hole through the shaft are parallel.

Adapter sets are available for alternative connections.

For further technical information relating to integration and hydraulic connections, please contact rotator@indexator.com