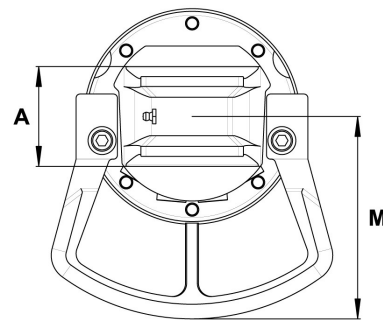
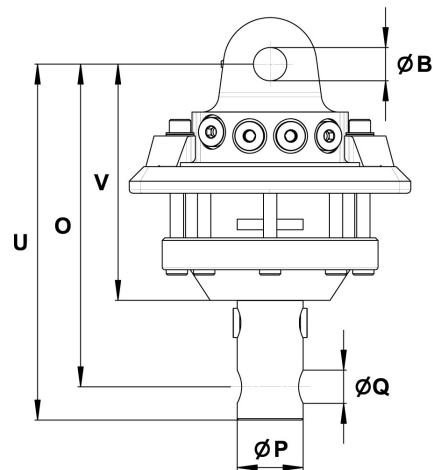
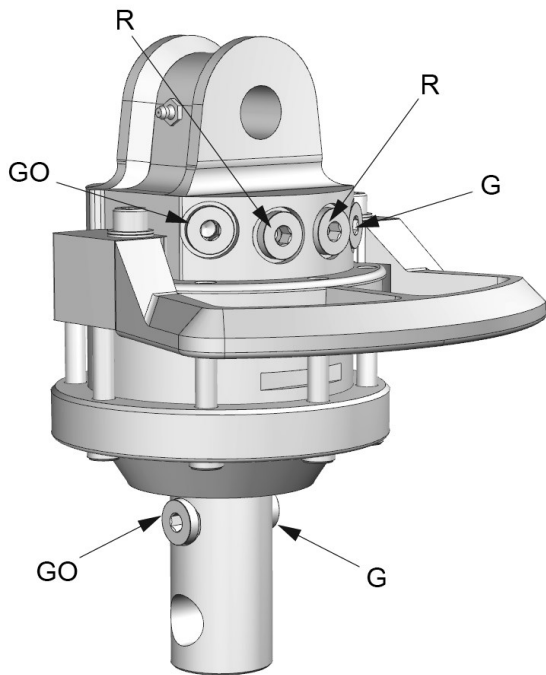











GV 3 -49,5/25 P B60

Part No.: 5002456



Upper connection	Lower connection
G 3/8	G 3/8

A: 60 mm	B: Ø25 mm	M: 152 mm	O: 243 mm	P: Ø49,5 mm	Q: Ø25 mm	U: 268 mm	V: 178 mm
-------------	--------------	--------------	--------------	----------------	--------------	--------------	--------------

 17 kg	 360°	 Max 30 kN ¹	 Max 12.5 kN	 950 Nm	 Max 10 l/min	 Max 25 MPa	 Max 20 MPa ²	 Max 30 MPa
--	---	--	---	---	--	--	---	--

¹ 40 kN when mounted to a piece goods crane.

² 25 MPa when mounted to a piece goods crane.

Rotator where the connections and tap hole through the shaft are parallel.

Adapter sets are available for alternative connections.

For further technical information relating to integration and hydraulic connections, please contact rotator@indexator.com