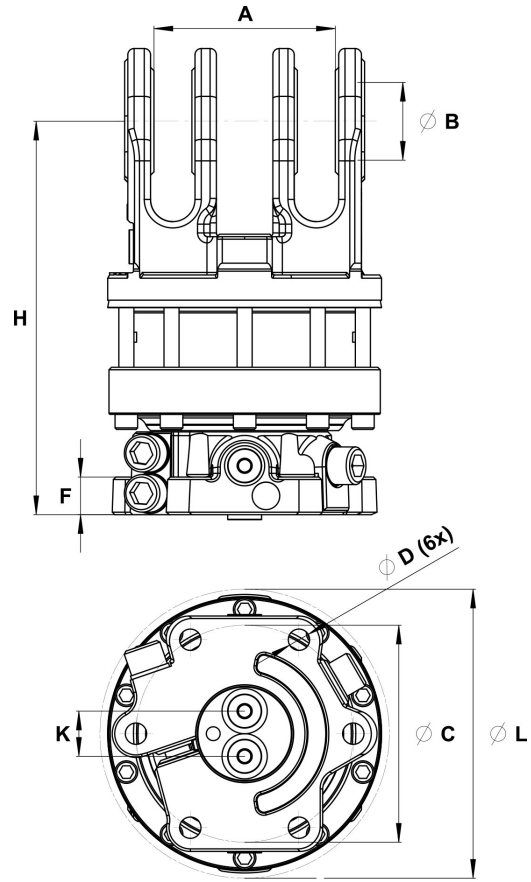
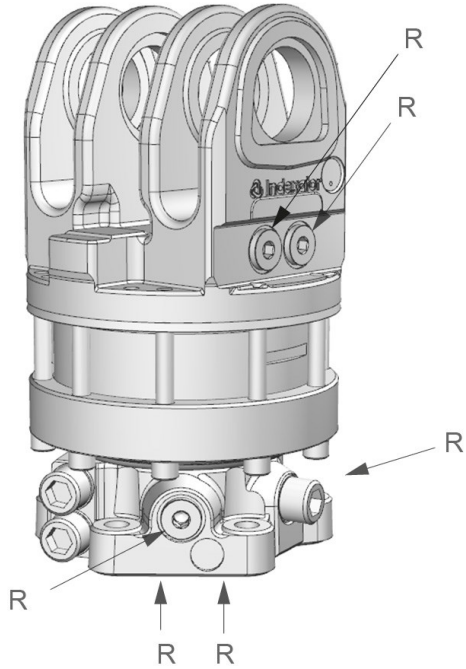


# H 101

Part No.: 7206096



Upper connection	Lower connection	Lower
G 1/2	G 1/2	G0: G 1

A: MPB1	B: MPB	C: Ø173 mm	D: Ø17 mm	F: 30 mm	H: 314 mm	K: 36 mm	L: Ø229 mm
------------	-----------	---------------	--------------	-------------	--------------	-------------	---------------

 49.8 kg	 360°	 Max 60 kN	 Max 25 kN	 1900 Nm	 Max 25 l/min	 Max 25 MPa
--	---	---	---	---	--	--

Rotator suitable for MPB swing dampers.

Adapter sets are available for alternative connections.

For further technical information relating to integration and hydraulic connections, please contact [rotator@indexator.com](mailto:rotator@indexator.com)