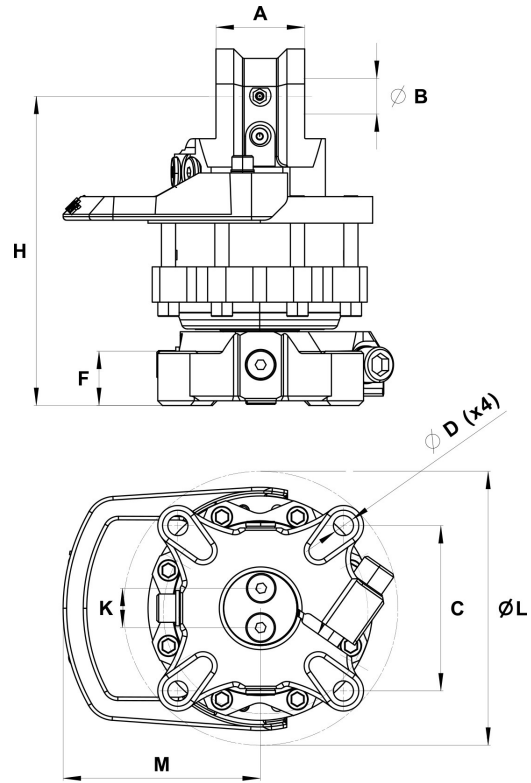
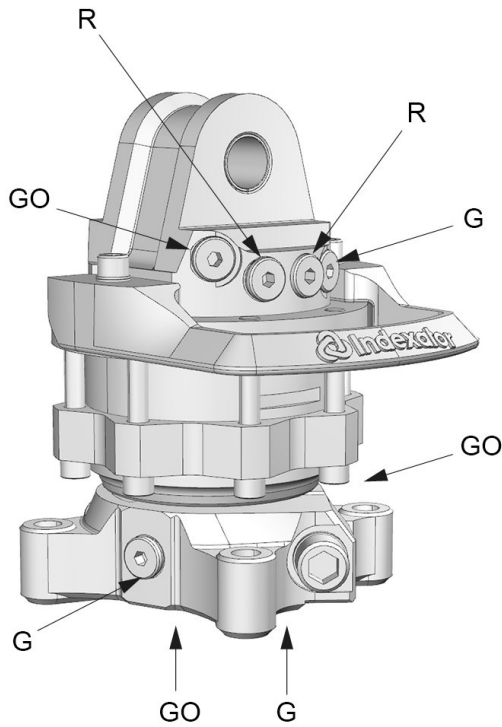


GV 4/30 K

Part No.: 5002529



Upper connection	Lower connection
G 3/8	G 3/8

A: 75 mm	B: Ø30 mm	C: 140x140	D: Ø17 mm	F: 46 mm	H: 263 mm	K: 34 mm	L: Ø232 mm	M: 166 mm
-------------	--------------	---------------	--------------	-------------	--------------	-------------	---------------	--------------

33 kg	360°	Max 45 kN	Max 25 kN	1150 Nm	Max 12 l/min	Max 25 MPa	Max 30 MPa	Max 30 MPa

K = 140×140 mm lower hole pattern.

Adapter sets are available for alternative connections.

For further technical information relating to integration and hydraulic connections, please contact rotator@indexator.com